

GPCN-D100



Maximum weight: 10Kg

Precise adjustment

- Horizontal angle: $\pm 5^\circ$
- Vertical angle: $\pm 15^\circ$
- Adjustable nut
- Sliding installation button

Angle adjustment

1. Loosen the positioning screws (front and back) for adjusting the angle, and then rotate the screwdriver for fine turning to the required angle as figure 9.
2. Loosen the positioning screws (left and right) for adjusting the angle, and then rotate the screwdriver for fine turning to the required angle as figure 10.

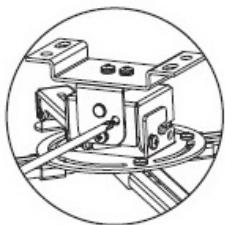
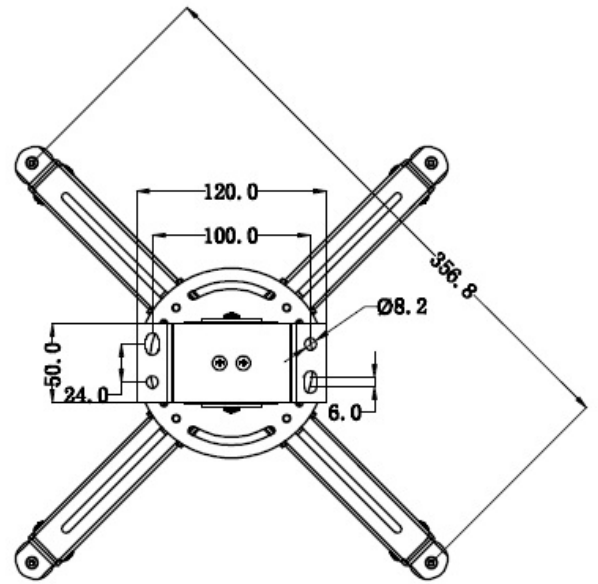
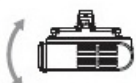


figure 9



The angle of vertical tilt: $\pm 15^\circ$

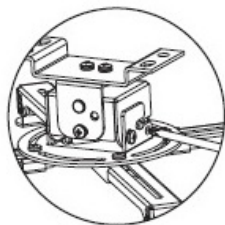
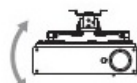


figure 10



The angle of horizontal tilt: $\pm 5^\circ$

